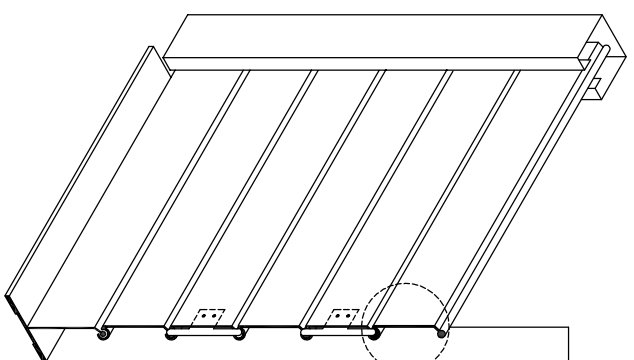


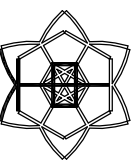
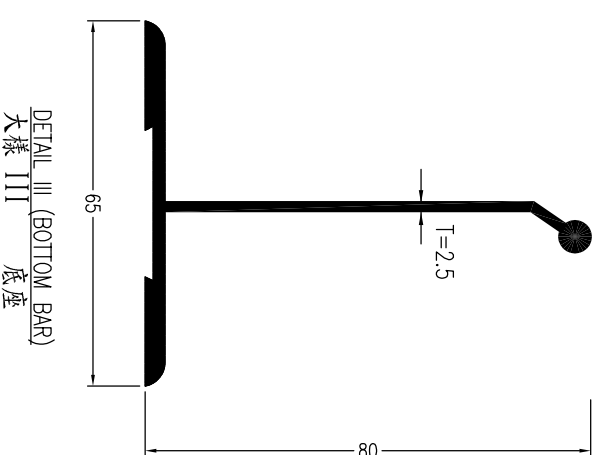
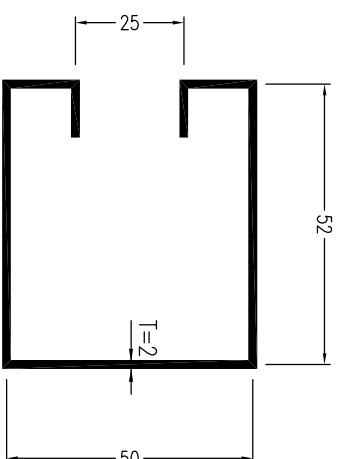
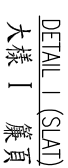
尺寸	N	M	H3
DIMENSION	0-100	150-200	1200

1. BEARING
2. BARREL
3. SHUTTER HOOD
4. MOTOR
5. TRANSMISSION GEAR
6. SLATS
7. MANUAL CHAIN
8. PUSH BUTTON
9. GUIDE RAIL
10. BOTTOM BAR

1. 軸承
2. 捲軸
3. 閘箱
4. 電機
5. 鍵輪
6. 簾頁
7. 手動鏈條
8. 按鈕
9. 導軌
10. 底座



P = 50
H = 15
T = 1.6



CHUNG TAI
ROLLER SHUTTERS CO., LTD.
UNIT 7, G/F, KIN FAT INDUSTRIAL CENTRE,
KIN FAT ST., TUN MUN, N.T.
TEL: +852 2465 9323 FAX: +852 2465 1364
E-mail: info@chungtai-rs.com.hk

DRAWING NO. :

ALUM. CT50_MOTOR

DRAWING TITLE :

COMPONENTS OF CT50 ALUMINIUM ALLOY (6063-T5) SLAT CURTAIN
MOTOR OPERATED SECURITY ROLLER SHUTTER
(CT50) 鋁合金簾頁安防電動閘組件圖